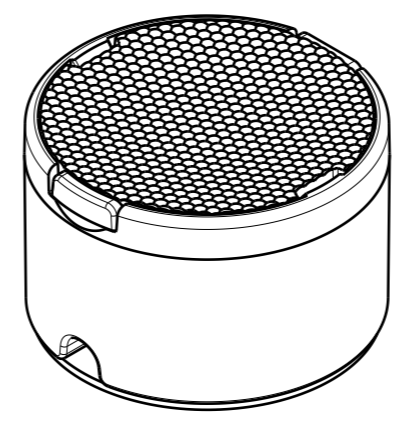
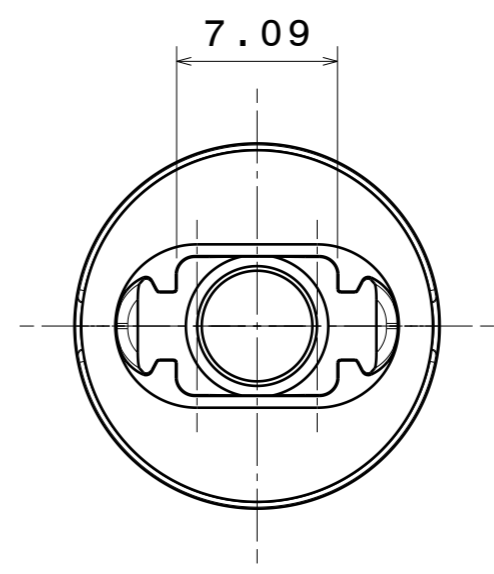
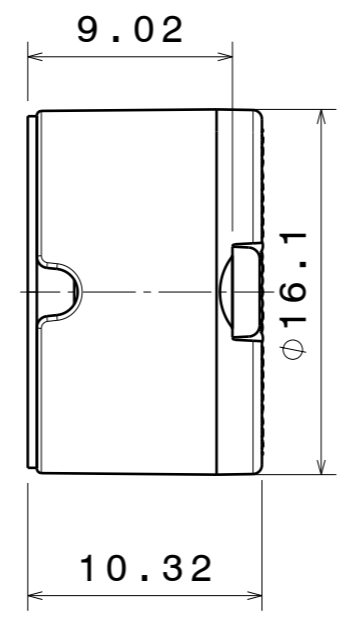
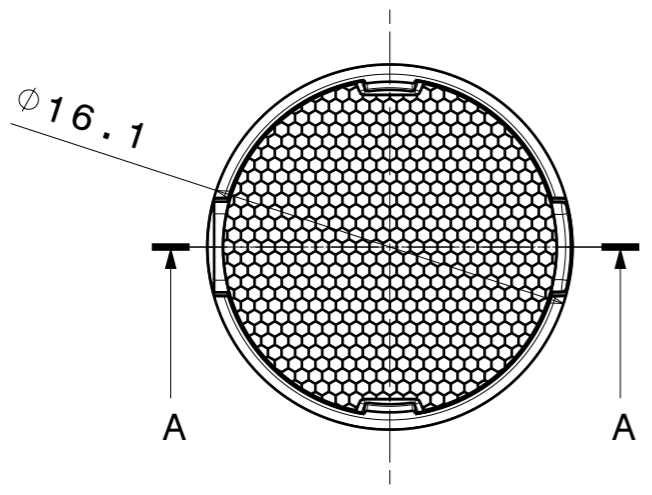


Section view A-A  
Scale: 3:1



Isometric view  
Scale: 3:1



INDEX	PART NO	DESCRIPTION	MATERIAL	COLOUR
1	F10579	TINA-O-PLUS-M	PMMA 8N	
2	F11840	TINA-TAPE3	Acrylic foam	
3	F10636	TINA-O-PLUS-H-TAPE-WHT	PC Lexan 123R	white

**LEGEND**

1	Inspectional dimensions marked with:
2	See CAD file for detailed geometry information. Surface finishing markings are only shown in drawing level.
Surface finish:	-
Finish specifications:	-

Tolerances if not otherwise shown  
According to DIN ISO 2768-1  
Linear measures:  
Up to 30mm class F, otherwise class M.  
According to DIN ISO 2768-2  
Form and position: class K  
Control for SPC marked dimensions.

**LEDiL** LediL Oy  
Salorankatu 10  
FIN 24240 SALO  
Finland

THIRD ANGLE PROJECTION:

DRAWING TITLE  
**FA10643\_TINA-M**

DRAWN BY  
**yrjo.matikainen**

DATE  
7.3.2014

CHECKED BY  
-

SIZE  
**A3**

DESIGNED BY  
-

DATE  
-

PART NUMBER  
**FA10643**

SCALE 3:1 WEIGHT 1.6g SHEET 1/1

**LEDiL PROPRIETARY** This drawing is the property of LEDiL Oy. It may not be reproduced, copied or communicated without a written agreement with LEDiL Oy.